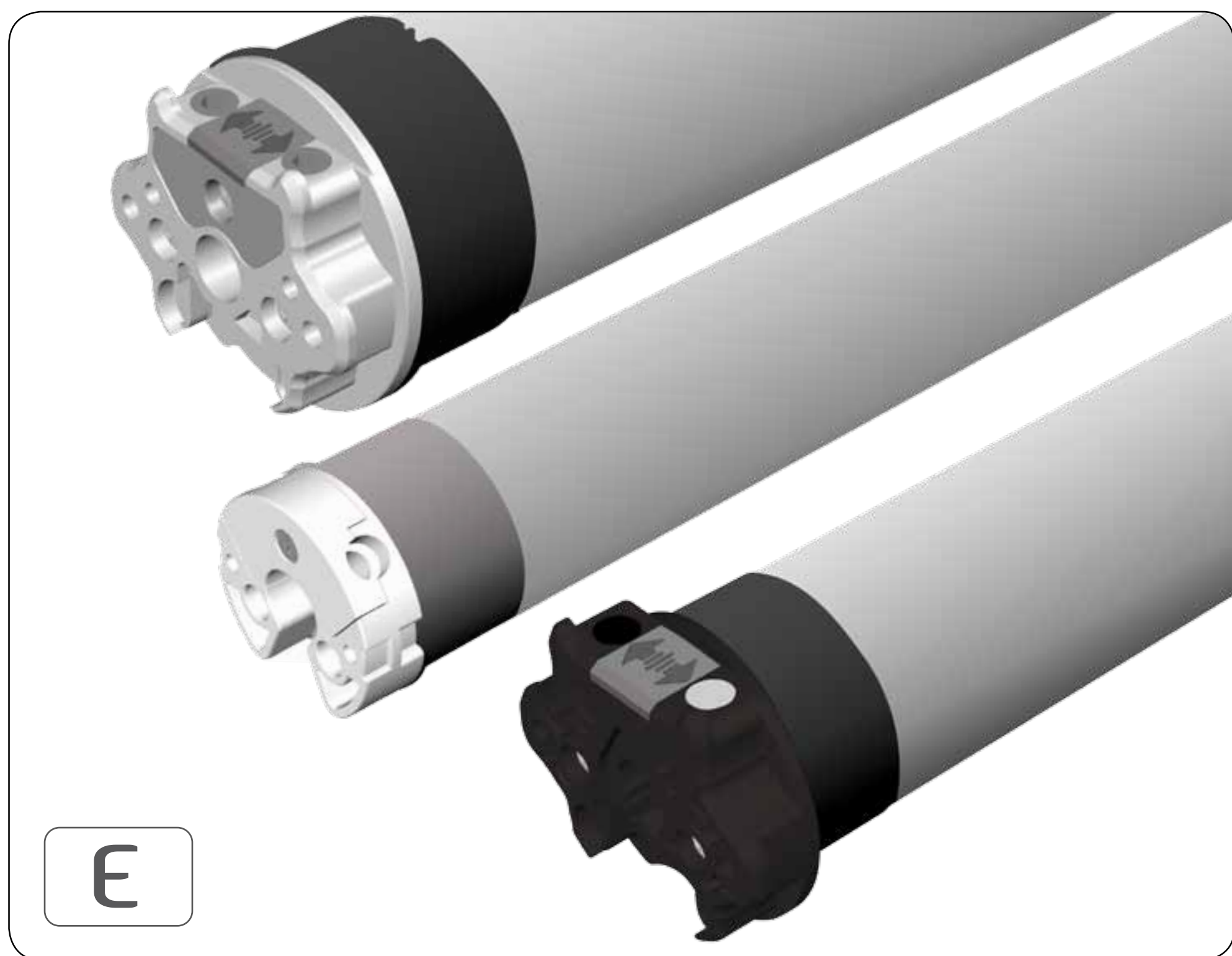




XQ XS Sileo

40 50 60

*TUBULAR MOTORS WITH ENCODER  
ELECTRONIC LIMITS*



**Made in Italy**



# INDEX

**SAFETY**

**INSTALLATION**

**ELECTRICAL CONNECTION**

**SETTING THE LIMITS**

**SETTING WITH PUSHBUTTON TOOL ACPRET (optional)**

**OPTION 1.**

[ ⚠ only for XQ50]

Shutter with mechanical stops or  
cassette awnings

**OPTION 2.**

Shutter or awnings **WITHOUT**  
stops

**SETTING WITH STANDARD PUSHBUTTON**

[ ⚠ only for XQ50]

**OPTION 3.**

Shutter with mechanical stops or  
cassette awnings

**OPTION 4.**

Shutter or awnings **WITHOUT**  
stops

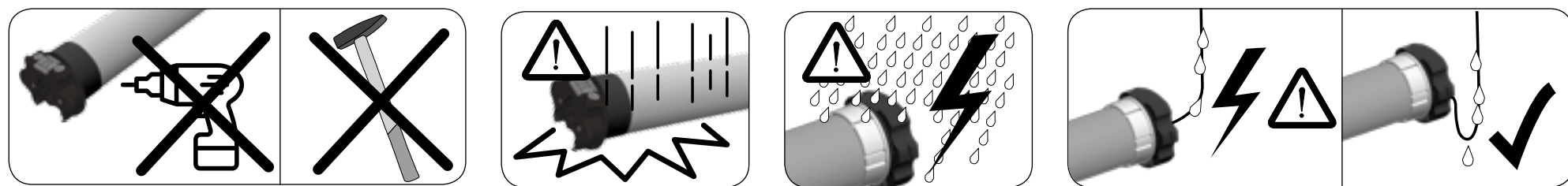
# SAFETY



**CAREFULLY FOLLOW THESE INSTRUCTIONS. IT IS VERY IMPORTANT FOR THE SAFETY OF PERSONS. SAVE THESE INSTRUCTIONS.**

**IMPORTANT:**

- Check the shutter/awning in motion and keep persons far from it while in action.
- Frequently check if any loss of balance, signs of wear or damaged wires are shown.
- Do not use if any repairing or maintenance is needed.
- In case of installation in awnings keep a distance of at least 0,4 m from it (completely open) and whatever fixed item in the nearby.
- The device is not intended to be used by people (including children) whose physical, sensory or mental capabilities are reduced, or lacking experience or knowledge, unless they have been granted through the intermediary of a person responsible for their safety, supervision or instruction concerning the use of the device.
- Children should be supervised to ensure they do not play with the device and / or with fix control devices.
- The control devices installed in a fixed manner must be positioned in view.

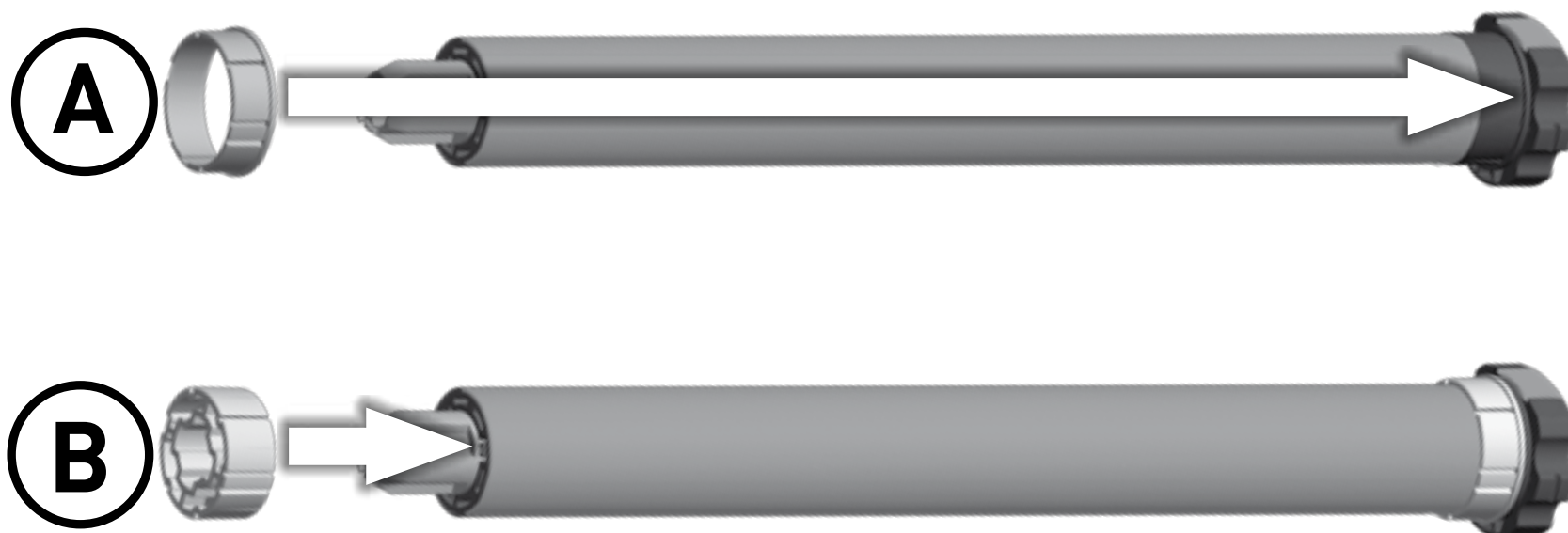


To complete installation, the motor must be provided with a couple of adaptors (corresponding with the tube) and a fixing bracket. For a list of the available accessories, refer to the catalogue.

**WARNING: incorrect installation can cause serious injuries. Follow the installation instructions. Before you remove all unnecessary cables and turn off any equipment not required for this operation.**

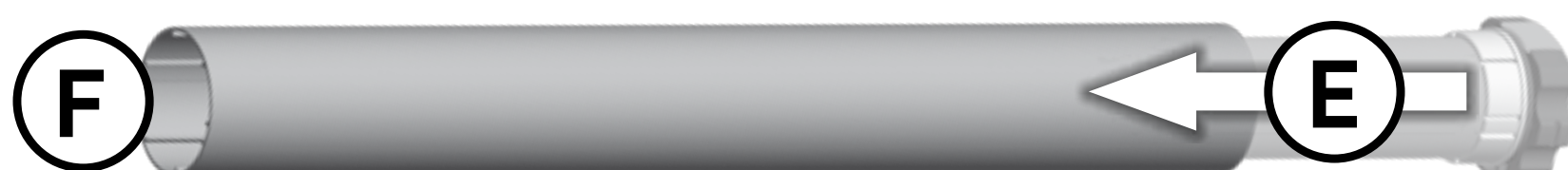
1

Fix the adaptors to the motor distinguishing the limits ring (A) from the drive pulley (B).



2

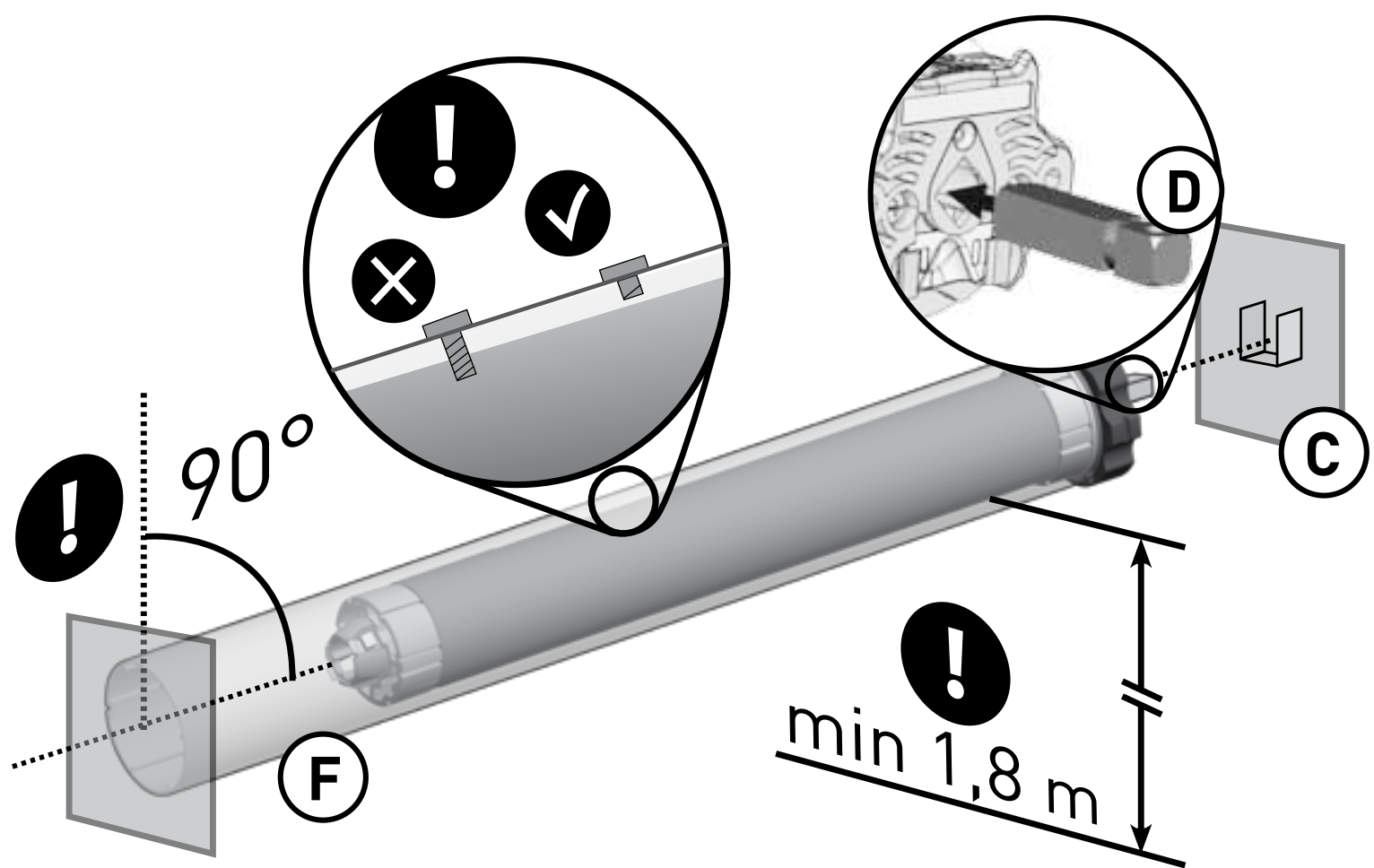
Insert the motor (E) into the tube (F) until its end stops against the limits ring.





- 3** The fixing bracket (C) must be fixed inside the box or on the awning frame so that the roller tube (F) is perfectly horizontal and at a height not less than 1,8m.

- 4** **[FOR XQ50]** Place the motor square pin (D) on the bracket (C) and the cap at the opposite end of the tube on the fixing plate.  
**WARNING: Never hit on the head of the motor (D) when you insert it into the tube.**



## NOTES

- For the XQ50, with torque up to 15Nm, the minimum tube diameter is 50x1,5mm; for motors with higher torques, the minimum tube diameter is 60x1,5mm.
- For the XQ60, the minimum tube diameter is 63x1,5mm.

## WARNING:

- The screws used to fix the last slat on the tube may be too long and reach the tubular part of the motor. Use appropriate screws or fixing clips.
- Motor moving parts installed under 2,5m from the ground must be protected.
- A wrong motor installation can damage persons or objects.

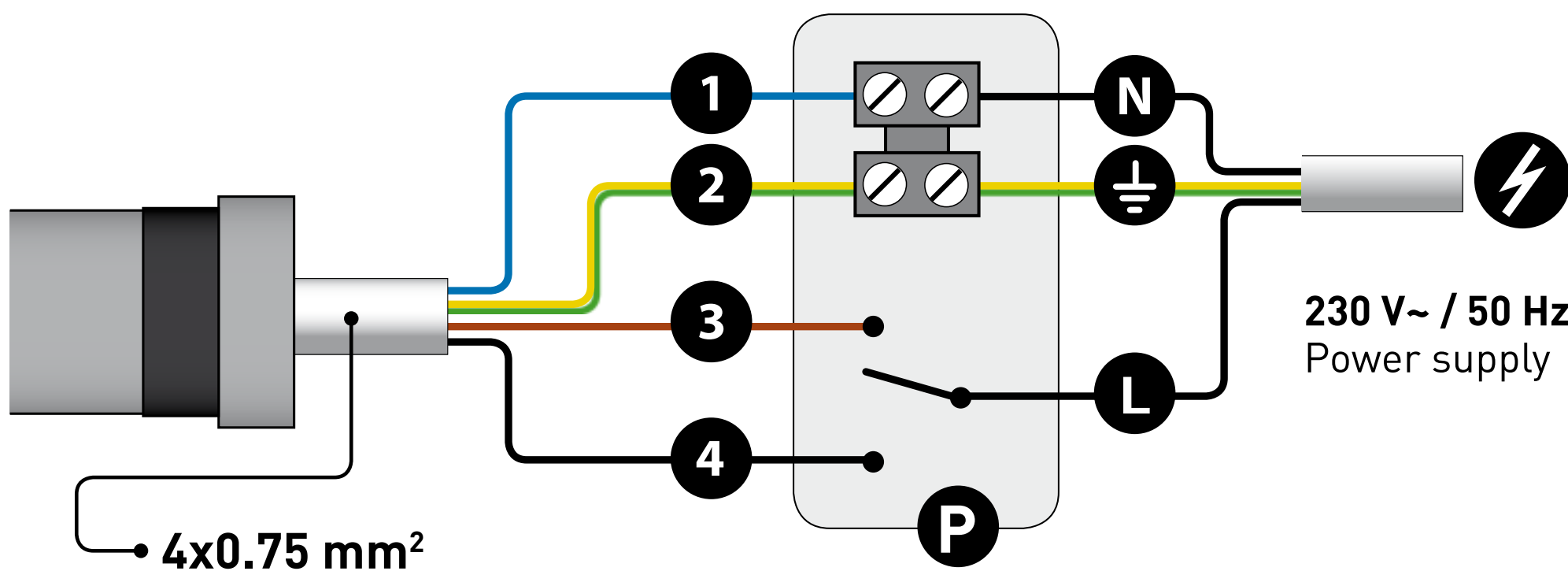


**Check that the mains voltage available on the system is as shown on the label.** The motor mains connection should be executed according to the diagram on the next page, by qualified technicians able to operate in compliance with the rules.

**ATTENTION: The power supply must contemplate a switching device with an opening distance between contacts of at least 3mm.**

The motors connecting cables to the network can only be replaced with cables of the same type provided by the motor manufacturer. If the connecting cables are damaged, it must be replaced by the manufacturer, its service agent or similarly qualified persons in order to avoid a hazard.

- Do not connect more than one tubular motor to a single switch.
- **WARNING:** Do not set the shutter/awning into motion while you are cleaning or servicing the device and disconnect the supply.
- The switch controlling the motor must be installed in full view, not higher than 1,5m and it must be kept far from moving parts.



1	Neutral	Blue (Gray)
2	Ground	Yellow/Green
3	Direction of rotation 1	Brown
4	Direction of rotation 2	Black

N	Neutral
⊕	Ground
L	Phase
P	Push button



## IMPORTANT INFORMATION FOR ELECTRICIANS

- It is possible to connect in parallel electronic motors to a switch in residential applications where the **total power cable length does not exceed 10 meters**. The number of motors paralleled together is limited to 4-5 according to the switch total amperage capacity.
- **Electronic motors cannot be paralleled connected together when controlled by a Building Management system (BMS).**
- **Compatibility between electronic motors and BMS must be approved and tested by manufacturer of BMS.**
- For standard motor operation only a standard switch allowing either UP or DOWN but not both at the same time must be used. Only mechanically or electrically interlocked switches can be used.
- Motors with electronic limits can be connected in parallel. The maximum load of the switch must never be exceeded.
- When changing from UP to DOWN or vice versa, the switchover time must at least be 0.5 seconds and effected through an OFF position. Only switches with a defined neutral position or one with a built-in switching delay should be used.
- An “active path” control unit which monitors the current draw is in conflict with the motor and cannot be used.

# SETTING THE LIMITS



## IMPORTANT:

- Motors are supplied with pre-set limit switches, in order to allow two turns in both directions.
- Limit-switches setting procedures shown are valid for right and left side installation.
- Always set the UP limit switch FIRST

## CHOOSE AN OPTION

### SETTING WITH PUSHBUTTON TOOL ACPRET (optional)

**OPTION 1.**  
[ ⚠ only for XQ50 ]  
Shutter with  
mechanical stops or  
cassette awnings

**OPTION 2.**  
Shutter or awnings  
**WITHOUT** stops

### SETTING WITH STANDARD PUSHBUTTON [ ⚠ only for XQ50 ]

**OPTION 3.**  
Shutter with  
mechanical stops or  
cassette awnings

**OPTION 4.**  
Shutter or awnings  
**WITHOUT** stops

# SETTING WITH PUSHBUTTON TOOL ACPRET/ ACPRE (option)

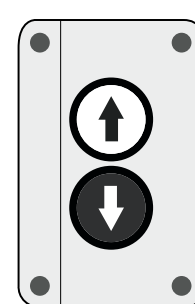
1/2



## OPTION 1. Shutter with mechanical stops or cassette awnings

1

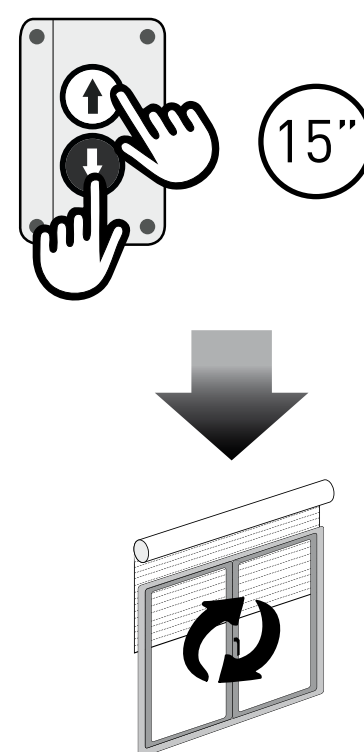
Connect the motor to the pushbutton ACPRET



ACPRET

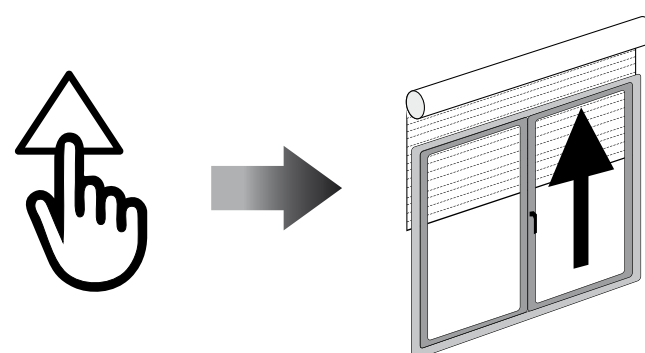
2

Press Up and Down buttons simultaneously until the motor jogs



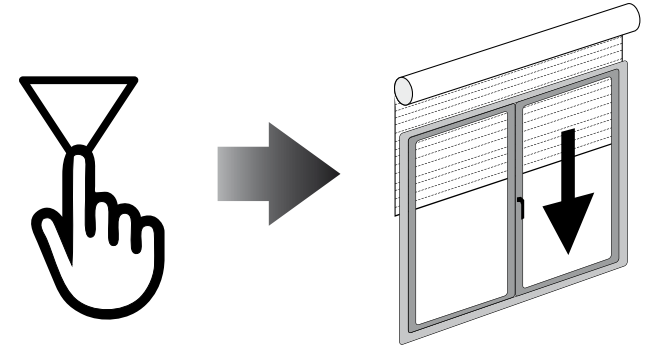
3

Press the Up button and release it only when the motor stops because the shutter/awning has reached the Up stops. Up limit switch is set

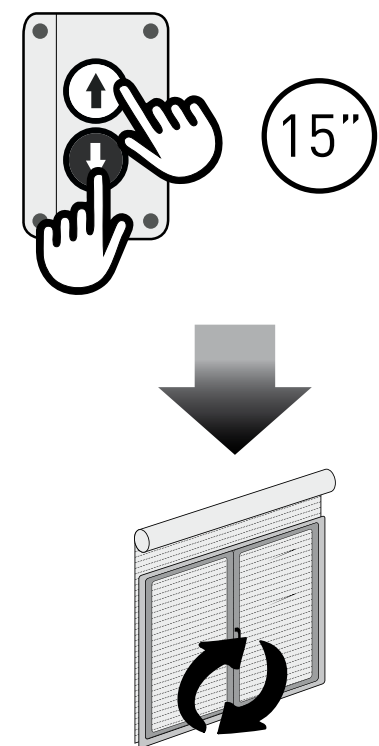


**4**

Press the Down button and release it only when the shutter/awning has reached the desired limit switch position

**5**

Press Up and Down buttons simultaneously until the motor jogs. Down limit switch is set

**6**

Disconnect the setting pushbutton tool ACPRET and connect the motor to the final standard pushbutton.

# SETTING WITH PUSHBUTTON TOOL ACPRET/ ACPRE (option)

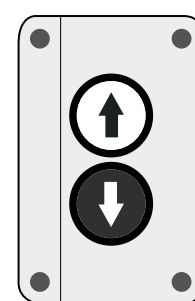
1/2



## OPTION 2. Shutter or awnings without stops

1

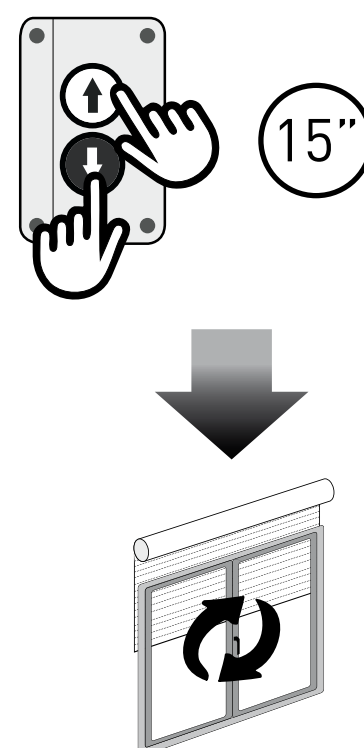
Connect the motor to the pushbutton ACPRET



ACPRET

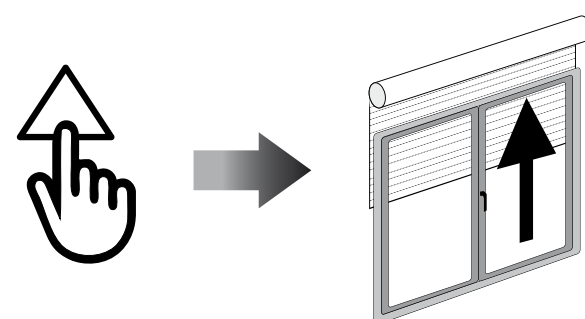
2

Press Up and Down buttons simultaneously until the motor jogs



3

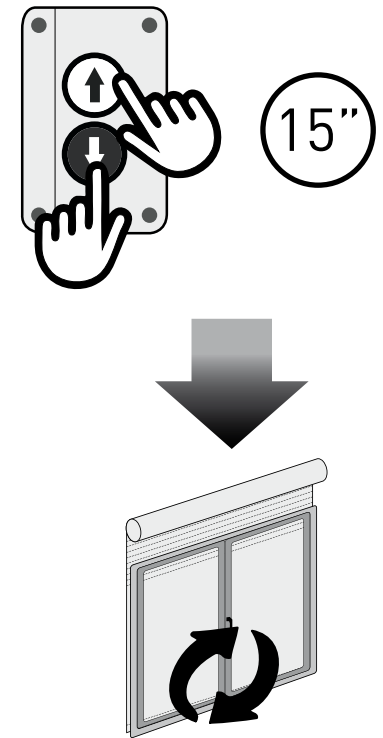
Press the Up button and release it only when the motor stops because the shutter/awning has reached the Up stops. Up limit switch is set





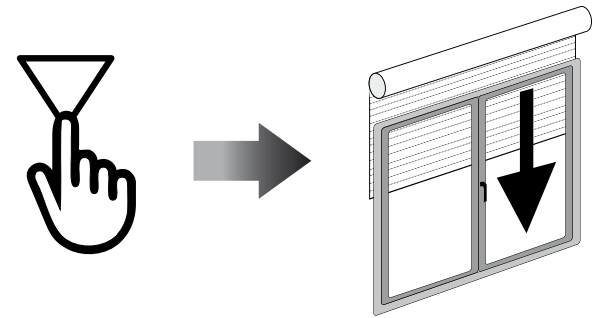
4

Press Up & Down buttons simultaneously until the motor jogs. Up limit switch is set.



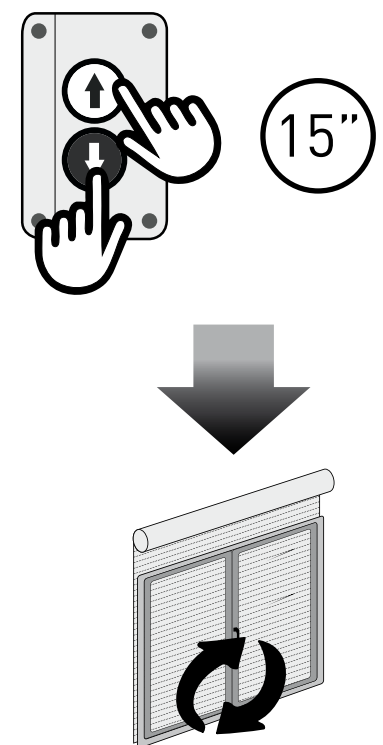
5

Press the Down button and release it only when the shutter/awning has reached the desired limit switch position.



6

Press Up and Down buttons simultaneously until the motor jogs. Down limit switch is set



7

Disconnect the setting pushbutton tool ACPRET and connect the motor to the final standard pushbutton

# SETTING WITH STANDARD PUSHBUTTON [only for XQ50]

1/2

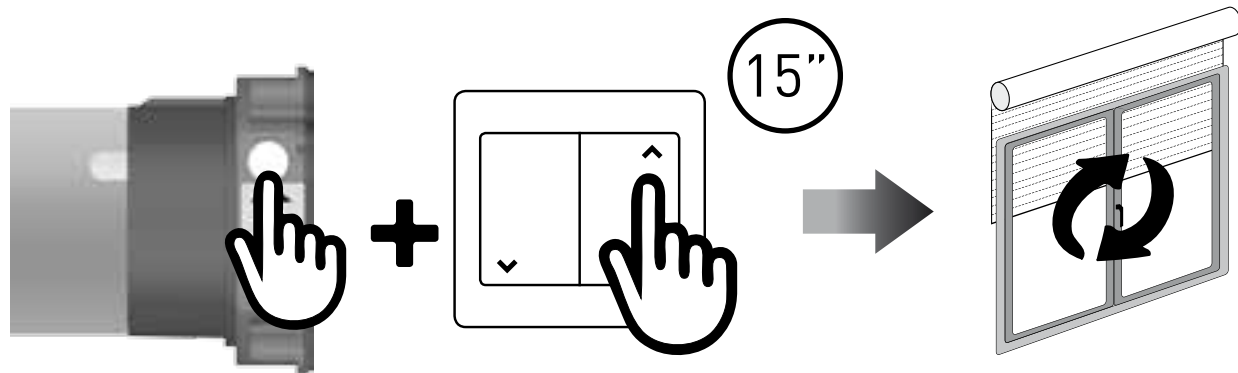


## OPTION 3.

### Shutter with mechanical stops or cassette awnings

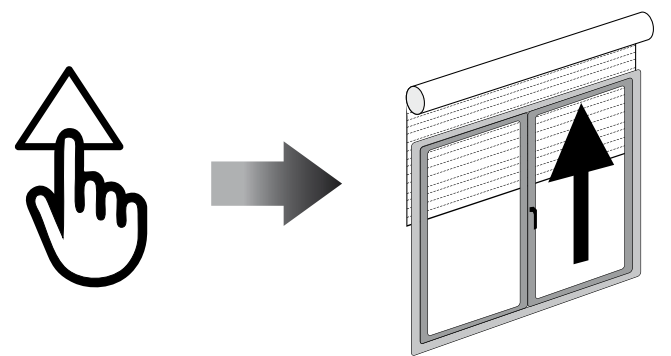
1

Press the white button on the motor head together with one of the two pushbuttons until the motor jogs.



2

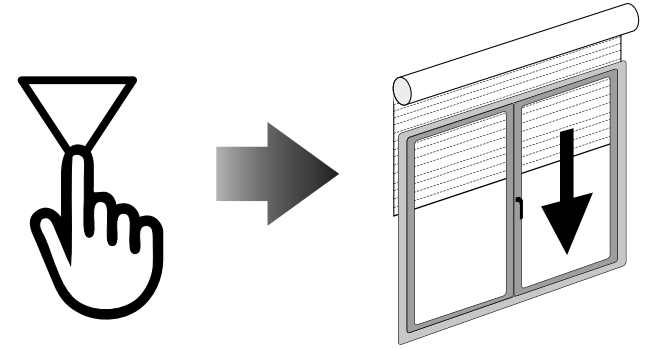
Press the Up button and release it only when the motor stops because the shutter/awning has reached the Up stops. Up limit switch is set;





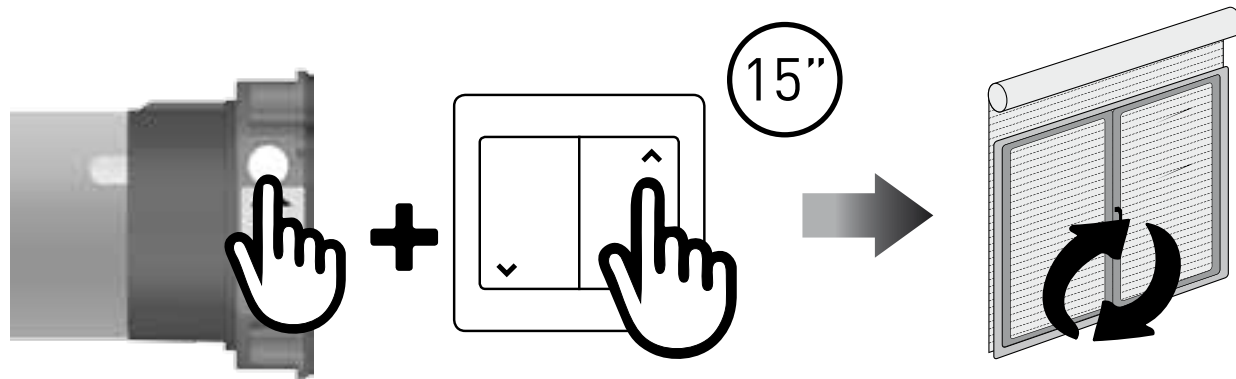
3

Press the Down button and release it only when the shutter/awning has reached the desired limit switch position.



4

Press the white button on the motor head together with one of the two pushbuttons until the motor jogs.  
Down limit switch is set;



# SETTING WITH STANDARD PUSHBUTTON [only for XQ50]

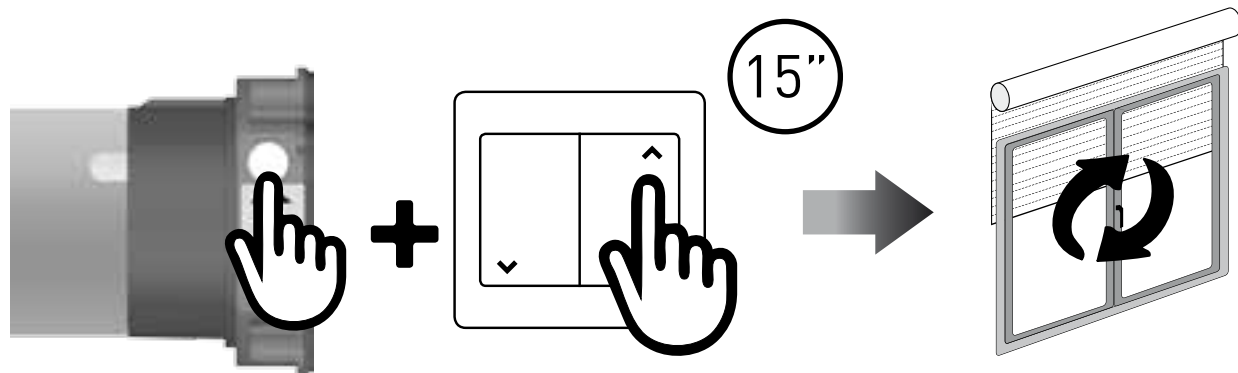
1/2



## OPTION 4. Shutter or awnings without stops

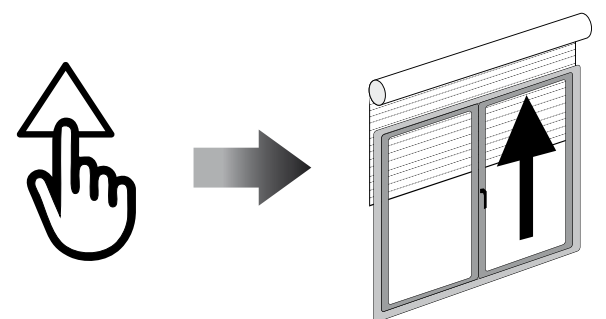
Press the white button on the motor head together with one of the two pushbuttons until the motor jogs.

1



2

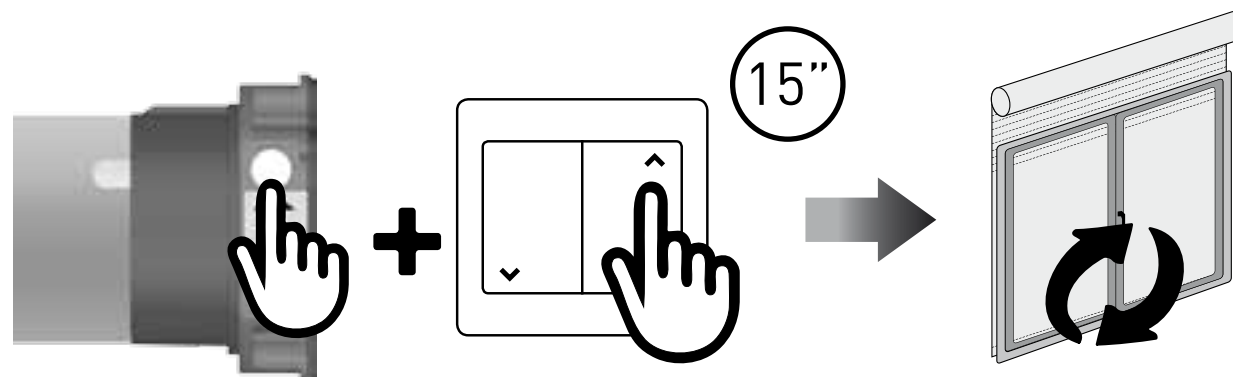
Press the Up button and release it when the shutter/awning has reached the desired limit switch position





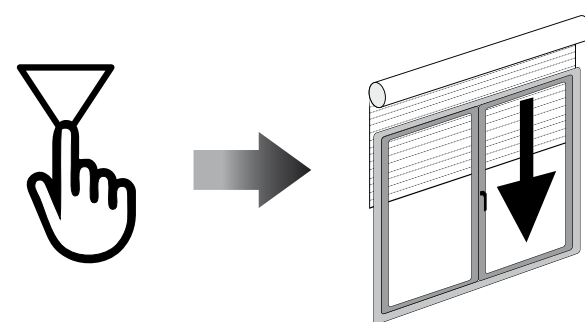
3

Press the white button on the motor head together with one of the two pushbuttons until the motor jogs. The Up limit switch is set.



4

Press the Down button and release it only when the shutter/awning has reached the desired limit switch position. Press Up or Down button to find the exact final position.



5

Press the white button on the motor head together with one of the two pushbuttons until the motor jogs. The Down limit switch is set

