

QCTRKP

433.92 MHz

*WIRELESS WALL-MOUNTED DIGITAL
SELECTOR*





INDEX

GENERAL WARNINGS AND PRECAUTIONS

PRODUCT DESCRIPTION AND INTENDED USE

AUDIBLE SIGNALS

INSTALLATION

METHOD OF USE

CHANGING THE FACTORY CODE

PAIRING THE QCTRKP WITH THE CONTROL UNITS

RESETTING / BATTERY REPLACEMENT

GENERAL WARNINGS AND PRECAUTIONS



Important safety instructions. Please fully read these instructions before starting the installation.

- Check whether the device is suitable for the desired use.
- Handle the device with care and avoid crushing, knocks, falls or contact with liquids of any kind. Keep the product away from sources of heat and open flames. Failure to observe the above can damage the device and cause malfunctions or potential hazards.
- Do not modify any part of the device. Operations other than those specified can cause malfunctions. GAPOSA declines all liability for damage caused by modifications to the device.
- The device is not intended for use by anyone (including children) with reduced physical, sensory or mental abilities, or by anyone lacking adequate experience and familiarity with the device.
- The device is not intended as an intrusion prevention system. If more effective protection is desired, the automation should be combined with other security devices.

PRODUCT DESCRIPTION AND INTENDED USE



The QCTRKP is a wireless wall-mounted digital keypad with a numerical combination.

It is designed for controlling motorized garage doors, shades and other similar products; it allows for checking and allowing access to places or facilities exclusively to authorized personnel.

The QCTRKP works and is compatible with GAPOSA CONTROL-UNITS only. The QCTRKP is made of 10 numerical buttons (0 to 9) and 2 operating buttons  / .

NOTE: The two operation buttons  /  can be used, respectively, one for opening and the other for closing a door. Alternatively, each operating button can move two neighbouring doors in sequential mode (OPEN-STOP-CLOSE-STOP- ...).

AUDIBLE SIGNALS

- **A short beep:** pressing any numerical button.
- **A long beep:** pressing the operating button after the right numerical combination.
- **A long beep:** confirming the numerical combination.
- **5 rapid beeps:** Typing a wrong combination or combination edit operation.

INSTALLATION

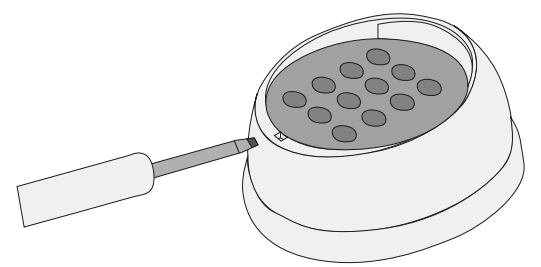


Test the QCTRKP keypad to assess its functionality and effective range before installing it on the wall. Take into consideration that the range may be up to 25 or 30% lower when battery power is low.

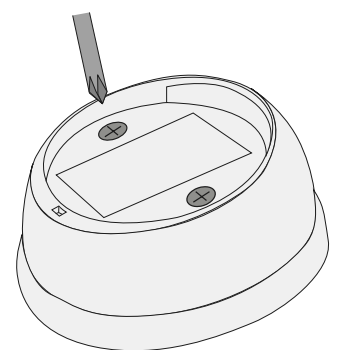
Carefully consider the position of the QCTRKP:

- Take into account the distance from the receiver
- Avoid the shield of metal structures. **DO NOT** install the device close or on metal structures.

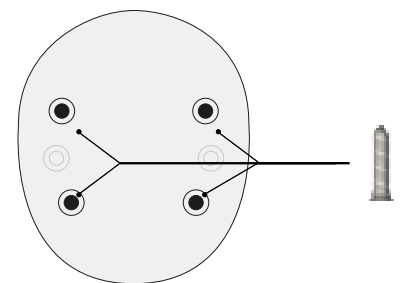
1 Lift the top black cover using a screwdriver.



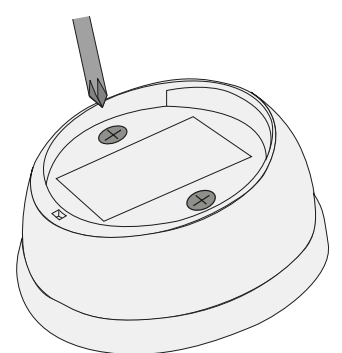
2 Unscrew the body from the back plate.



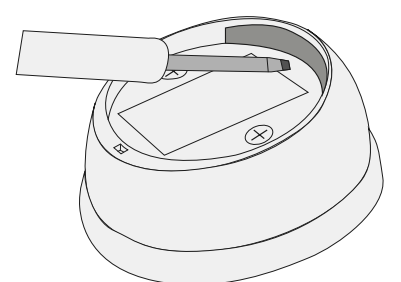
3 Attach the back plate to the wall using the flat head screws.



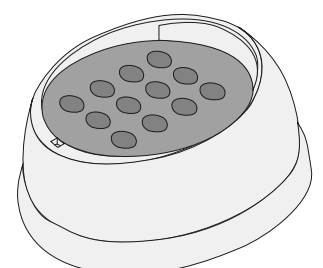
4 Screw the keypad body onto the back plate.



5 Pull up the LED transparent cover using a screwdriver. **This operation is required to allow the black cover to be inserted on top of the body.**



6 Re-insert the top black cover pressing with your hand.



METHOD OF USE



The keypad uses a numerical combination: users are required to select from 1 to 9 digits in a combination they prefer. When the combination has been entered, the command to the control-unit is sent by pressing the operating buttons which are the ▲ or ▼.

Each operating button has its own combination. You can assign a different combination to each operating button or choose to use the same combination for both of them.

The command to the control-unit will be sent only when the right combination has been entered:

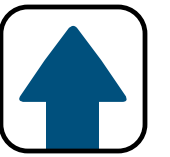
- Typing a wrong combination the QCTRKP will emit an error warning signal (5 rapid beeps)
- There is a limit of 10 seconds for typing the combination.
- If by mistake the wrong button is pressed, press ▲ or ▼ immediately to cancel the operation and start over again.

ATTENTION! BEFORE INITIAL COMMISSIONING OR AFTER A KEYPAD RESET, THE FACTORY CODES ARE:

▲ **BUTTON: 11**

▼ **BUTTON: 22**

CHANGING THE FACTORY CODE



▲ BUTTON:

1. Press and hold “0” button while pressing and releasing ▲ button.
2. Release the “0” button.
3. Type the factory code (11) and press the ▲ button.
4. Type the code of your choice and press the ▲ button.
5. To confirm, re-enter the code and press the ▲ button again.

▼ BUTTON:

1. Press and hold “0” button while pressing and releasing ▼ button.
2. Release the “0” button.
3. Type the factory code (22) and press the ▼ button.
4. Type the code of your choice (it can be the same as the ▼ button or a different one) and press the ▼ button.
5. To confirm, re-enter the code and press the ▼ button.

ATTENTION: If the combinations you have entered are identical for both ▲ and ▼, once you have typed the combinations, you can press either ▲ or ▼ button. If combinations are set without typing any numbers, the command can be sent simply by pressing the ▲ or ▼ button without having to first type in any codes.

PAIRING THE QCTRKP WITH THE CONTROL UNITS

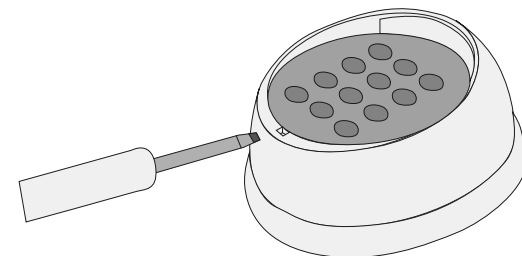
To connect the QCTRKP to the GAPOSA control unit in use, please refer to the latter's manual.

The two operation buttons can be used, respectively, one for opening and the other for closing a door. Alternatively, each operating button can move two neighbouring doors in sequential mode (OPEN-STOP-CLOSE-STOP- ...).

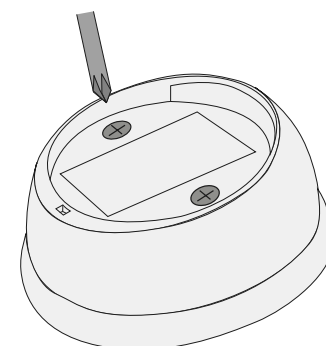
RESETTING / BATTERY REPLACEMENT



1 Lift the top black cover using a screwdriver.

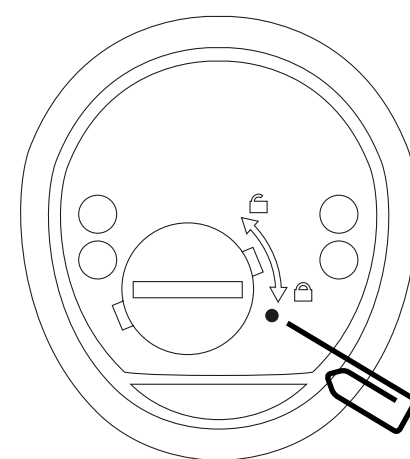


2 Unscrew the body from the back plate.



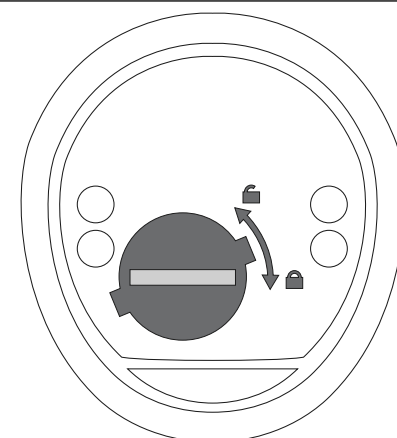
RESETTING THE KEYPAD

3.1 On the back of the body, press and hold the RESET button for 5 seconds until the keypad emits a long beep. The keypad is now back in factory mode.

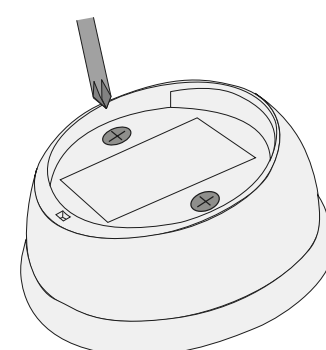


BATTERY REPLACEMENT

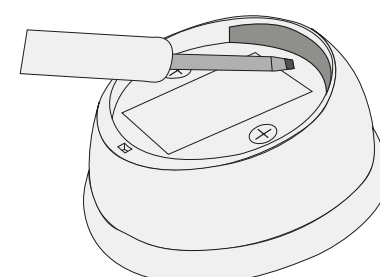
3.2 Turn and unlock the battery cover to replace the 2 batteries inside (CR2032 - 3V). Lock the battery cover after replacement.



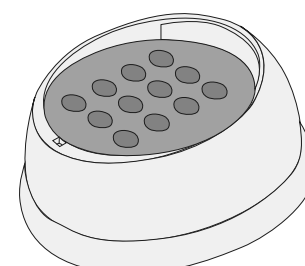
4 Screw the keypad body onto the back plate.

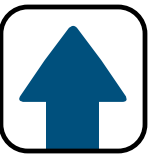


5 Pull up the LED transparent cover using a screwdriver. **This operation is required to allow the black cover to be inserted on top of the body.**



6 Re-insert the top black cover pressing with your hand.





GAPOSA srl - via Ete, 90
63900 Fermo - Italy
T. +39.0734.220701 - info@gaposa.com

